



**Central
Diesel**

The Engine, Pump & Power Co.

Product Specification

Central Diesel provides these specifications as a courtesy and are a guide only. They have been sourced from the manufacturer and may change without notice. Central Diesel accepts no responsibility for any errors or omissions.



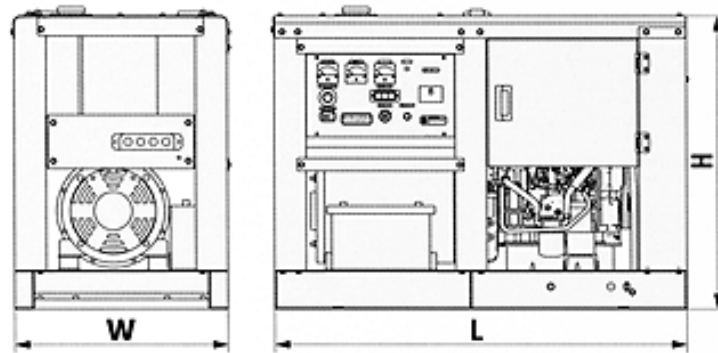
YEG Series

Specifications

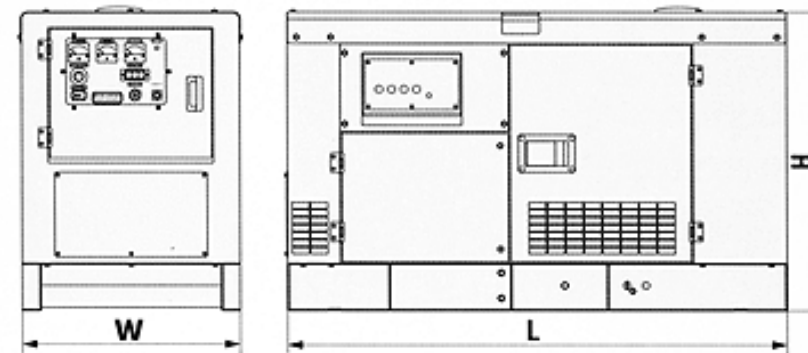
			3000 RPM 2-POLE THREE PHASE GENERATOR MODELS				
Canopy Type			YEG150DTHC	YEG200DTHC	YEG300DTHC	YEG400DTHC	YEG500DTHC
Silent Type			YEG150DTHS	YEG200DTHS	YEG300DTHS	YEG400DTHS	YEG500DTHS
Frequency (Hz)			50				
Output	Stand-by power rating	kVA	13.3	16.9	25.2	35	45.2
		kW	10.6	13.5	20.1	28	36.1
	Prime power rating	kVA	12	15.3	23	31.8	40
		kW	9.6	12.3	18.4	25.4	32
Voltage (V)			415				
Current (prime power) (A)			18.2	23.2	34.9	48.3	60.8
Type			Vertical, water-cooled, 4-stroke diesel				
Engine Model			3TNV70	3TNV76	3TNV84	4TNE84	4TNE84T
Fuel consumption (70% load) lit./hr			3.1	3.9	4.6	6.2	7.7
Canopy Type	Noise level (4/4load, 7m) dB(A)		74	76	83	86	86
	Fuel tank capacity (lit)		40		60	70	
	Dry weight (kg)		300	310	430	480	500
Silent Type	Noise level (4/4load, 7m) dB(A)		68	70	67	68	69
	Fuel tank capacity (lit)		50		70	70	
	Dry weight (kg)		400	435	585	685	715

Unit=mm(in.)

Canopy type



Silent type

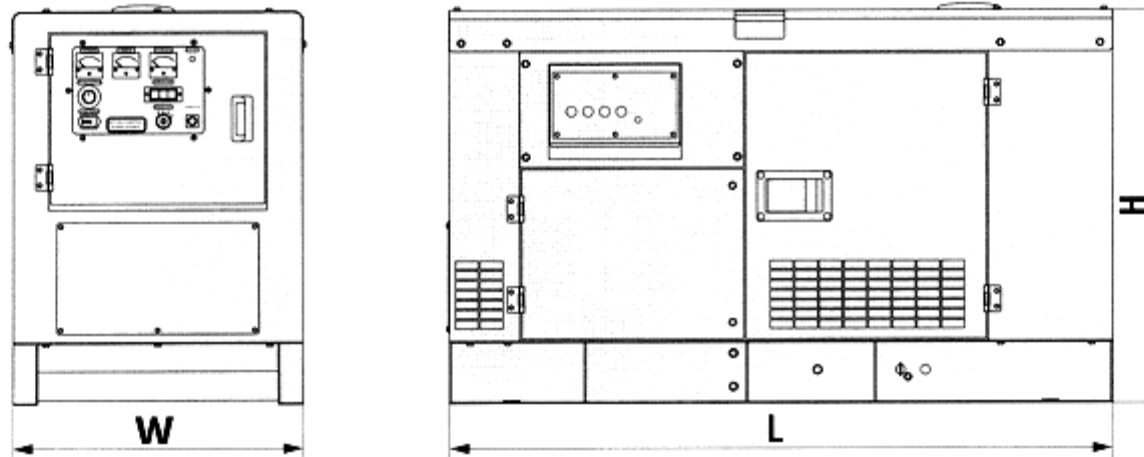


Model	YEG150DTHC	YEG200DTHC	YEG300DTHC	YEG400DTHC	YEG500DTHC
L	1200 (47.24)	1300 (51.18)	1480 (58.27)		
W	610 (24.02)	670 (26.38)	670 (26.38)		
H	850 (33.46)	920 (36.22)	920 (36.22)		

Model	YEG150DTHS	YEG200DTHS	YEG300DTHS	YEG400DTHS	YEG500DTHS
L	1400 (55.12)	1600 (62.99)	1830 (72.05)		
W	660 (25.98)	700 (27.56)	700 (27.56)		
H	900 (35.43)	950 (37.40)	950 (37.40)		

DIMENSIONS

Unit=mm(in.)



Model	YEG170DTLS	YEG230DTLS	YEG450DTLS	YEG650DTLS	YEG750DTLS
L	1600(62.99)	1830(72.05)	2050(80.71)	2350(92.52)	2350(92.52)
W	700(27.56)	700(27.56)	750(29.53)	920(36.22)	920(36.22)
H	950(37.40)	950(37.40)	1050(41.34)	1350(53.15)	1350(53.15)